

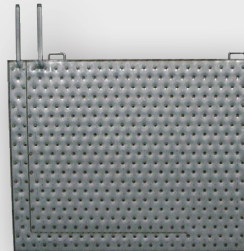
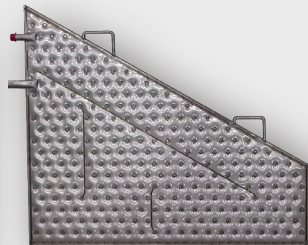
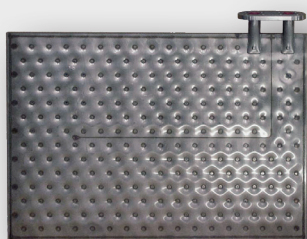
OMEGA



THERMO PRODUCTS

IMMERSION PLATES

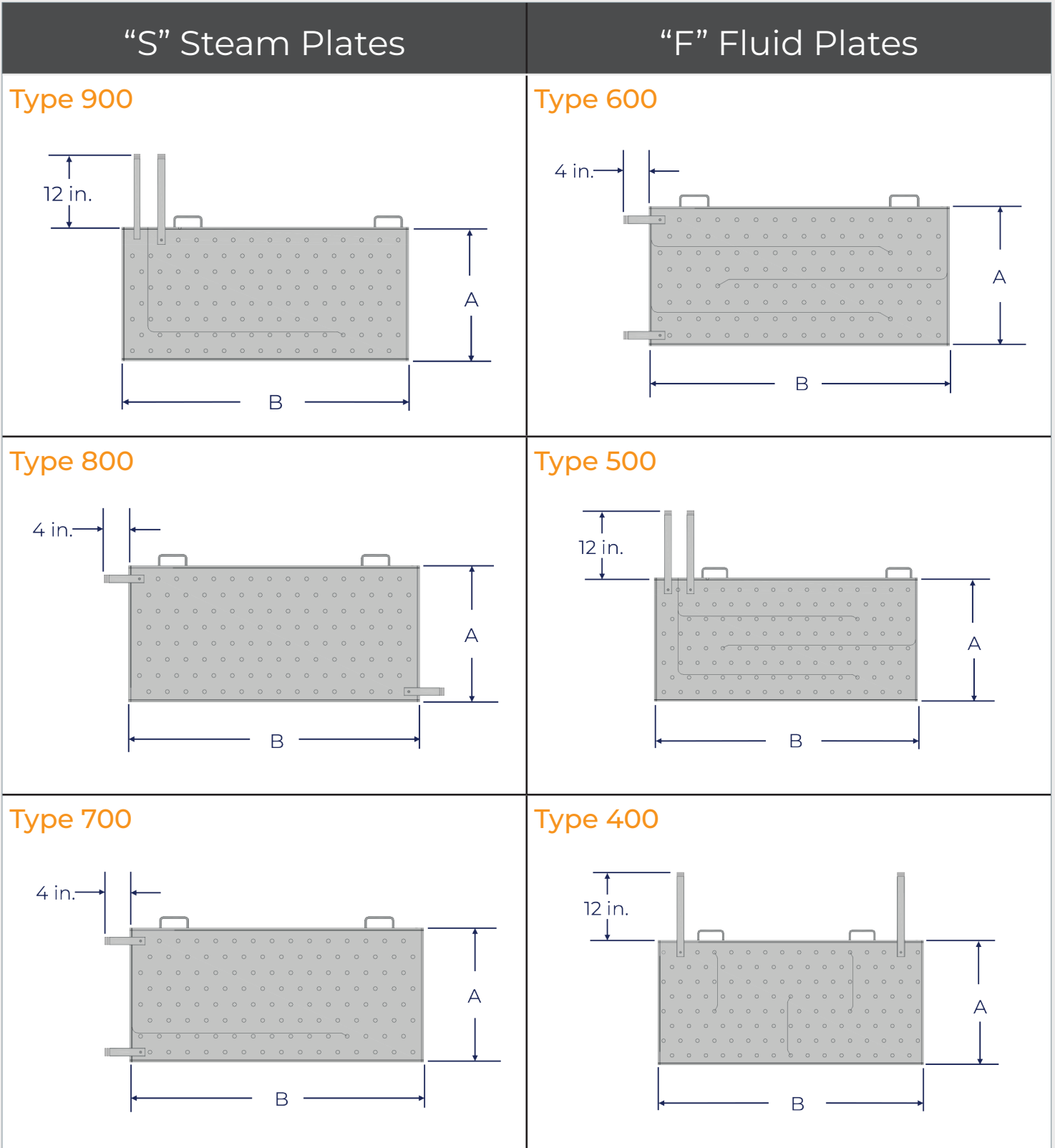
WWW.OMEGATHERMOPRODUCTS.COM



LEADING IN HEAT TRANSFER TECHNOLOGY

Omega immersion plates are suitable for numerous heat and cooling applications where direct contact with product is acceptable.

All plates are manufactured utilizing the latest technology of laser welding assuring optimal performance and longevity.



Type "S" Steam Plates

The Omega steam plate design optimizes condensate return for more efficient heat transfer. Steam plates are ideal for any application which utilizes steam as a heating media.

Type "F" Fluid Plates

The Omega fluid plate design utilizes baffles to optimize fluid circulation in the plates. Fluid plates are ideal for any heating or cooling application where as fluid is used as the media.

Standard Features

Plate material thickness: 18, 16, 14 or 12 ga.

Material types: 304 or 316L stainless steel

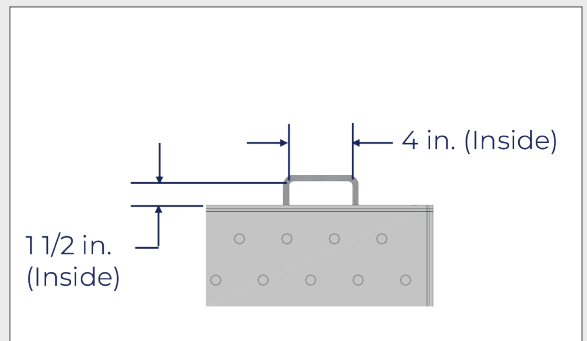
Nozzles: Sch 40, NPT

Operating Pressure: 150 PSI

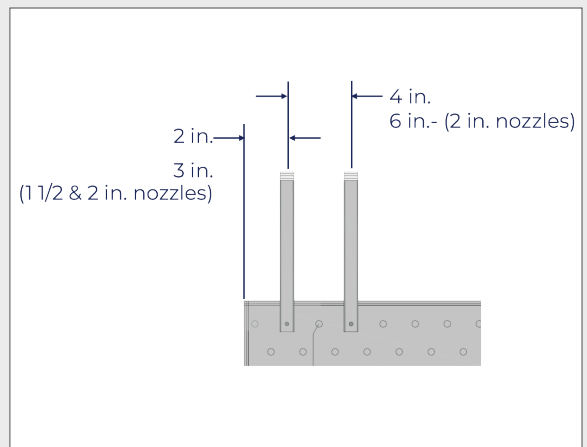
Operating Temperatures: -20°F / 400°F

Finish: as welded

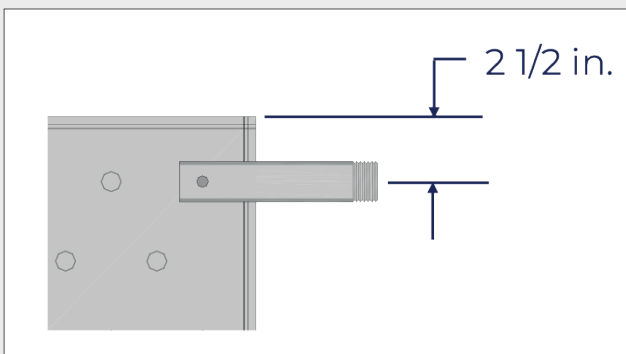
For standard plate and nozzle sizes, refer to the table on the back cover.



Handle detail



Top nozzle placement



Side nozzle placement

Plate Options

Specialty metals

Pickling or electro-polishing

Plate hangers

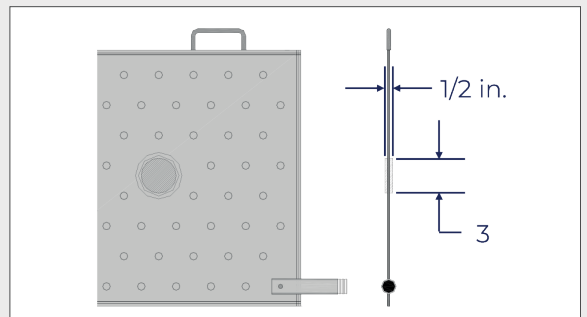
Bang pads

Special rolling or forming

ASME "U" Stamp

Flanged or weld type fittings

Other options available upon request



Bang pads

Standard Plate Sizes

Dim (A)	Dim (B)	Surface area (ft ²)	Type "S" Plates		Type "F" Plates	
			Inlet	Outlet	Inlet	Outlet
12	18	3.0	1"	3/4"	3/4"	3/4"
12	23	3.8	1"	3/4"	3/4"	3/4"
12	35	5.8	1"	3/4"	3/4"	3/4"
12	47	7.8	1"	3/4"	3/4"	3/4"
18	23	5.8	1"	3/4"	3/4"	3/4"
18	35	8.8	1"	3/4"	3/4"	3/4"
18	47	11.8	1"	3/4"	3/4"	3/4"
18	59	14.8	1"	3/4"	3/4"	3/4"
22	23	7.0	1"	3/4"	1"	1"
22	35	10.7	1"	3/4"	1"	1"
22	47	14.4	1"	3/4"	1"	1"
22	59	18.0	1 1/2"	3/4"	1"	1"
29	35	14.1	2"	1"	1 1/2"	1 1/2"
29	47	18.9	2"	1"	1 1/2"	1 1/2"
29	59	23.8	2"	1"	1 1/2"	1 1/2"
29	71	28.6	2"	1"	1 1/2"	1 1/2"
36	47	23.5	2"	1"	1 1/2"	1 1/2"
36	59	29.5	2"	1"	1 1/2"	1 1/2"
36	71	35.5	2"	1"	1 1/2"	1 1/2"
36	83	41.5	2"	1"	1 1/2"	1 1/2"
48	59	39.3	2"	1"	1 1/2"	1 1/2"
48	71	47.3	2"	1"	1 1/2"	1 1/2"
48	83	55.3	2"	1"	1 1/2"	1 1/2"
48	96	64.0	2"	1"	1 1/2"	1 1/2"

Special Plate Sizes:

All Omega plates are CNC laser welded, which allows us to create virtually any size or configuration plate for new equipment design or direct replacement needs.

Engineering & Design

Information included in this literature illustrate standard immersion plate features and options. Omega has on staff engineers prepared to help with any thermal sizing or special design needs.

Omega Thermo Products qualifications

USA
 OMEGA THERMO PRODUCTS
 212700 LASER DRIVE
 STRATFORD, WI 54484
 PHONE: 715.687.8102
 OMEGA@LASER-PLATE.COM



ASME U-stamp, Canadian Registration Number, PED

